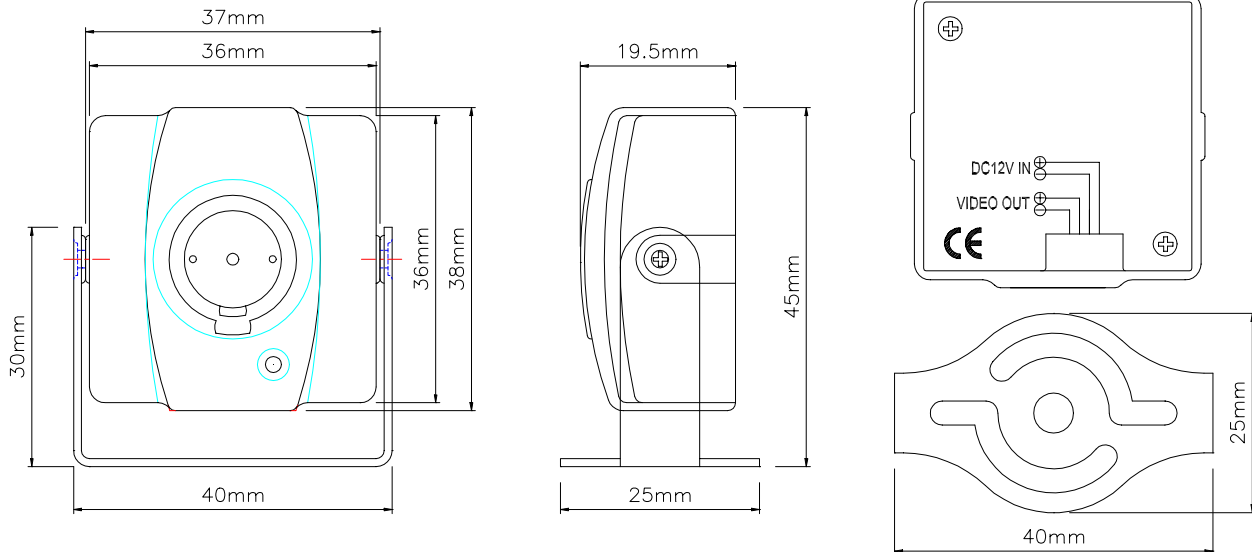


# YOKO 1/3" B/W CCD CAMERA in Mini CASE

MODEL: YK-3828

2000/12/13



## FEATURES

- B/W camera with 1/3" CCD Sensor in mini metal case.
- Pixel number: EIA=270K / CCIR=320K.
- High sensitivity, low smear, blooming suppression.
- Auto Electronic Shutter (AES), Auto Gain Control (AGC).
- Economical, furnished with Flat-Type Pin-Hole Lens.
- Furnished with DC power and video cable.
- Furnished with Mounting Bracket.
- Small size:36mm x 36mm.
- DC type, low power consumption.

## SPECIFICATIONS (Note: Design and specifications are subject to change without prior notice.)

<b>Image Pick-up Device</b>	1/3" interline transfer CCD Sensor.
<b>Effective Picture Elements</b>	EIA:510*492, CCIR: 500*582 (H*V)
<b>Horizontal Resolution</b>	400 horizontal TV lines
<b>Minimum Illumination</b>	0.3 LUX @ F2.0
<b>S/N Ratio</b>	More than 48 dB
<b>Auto Electronic Shutter</b>	EIA: 1/60s ~ 1/120,000s , CCIR: 1/50s ~ 1/120,000s.
<b>Auto Gain Control</b>	Yes.
<b>Scanning System</b>	Interlace 2:1
<b>Gamma Characteristic</b>	0.45
<b>Lens Furnished</b>	Flat-Type Pin-Hole Lens f =3.7mm / F2.0 (optional: f = 4.3mm)
<b>Synchronous System</b>	Internal, Negative sync.
<b>Video Output</b>	1 Vp-p / 75 Ohms. (BNC or F Connector.)
<b>Power Supply</b>	12V DC $\pm$ 10 %
<b>Power Consumption</b>	1.32W (110 mA)
<b>Operating Temp.</b>	-10°C to 50°C (14°F to 122°F)